



**YOUR PROFESSIONAL  
LITHIUM BATTERY  
SOLUTION PROVIDER**



**Lithium  
Storage**

# LFP230AH

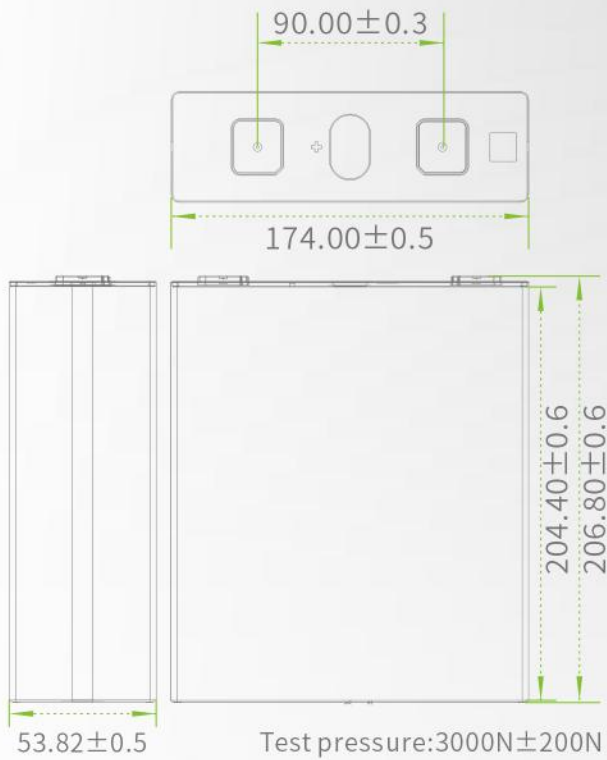


**LITHIUM STORAGE** can offer different terminal solution for cells with welding terminals, including screw terminals and nut terminals. These solutions have passed the multiple inspection testing items such as drawing force, shear force and torque testing etcetera and have been applied in the various electric vehicles and energy storage projects in the different countries.

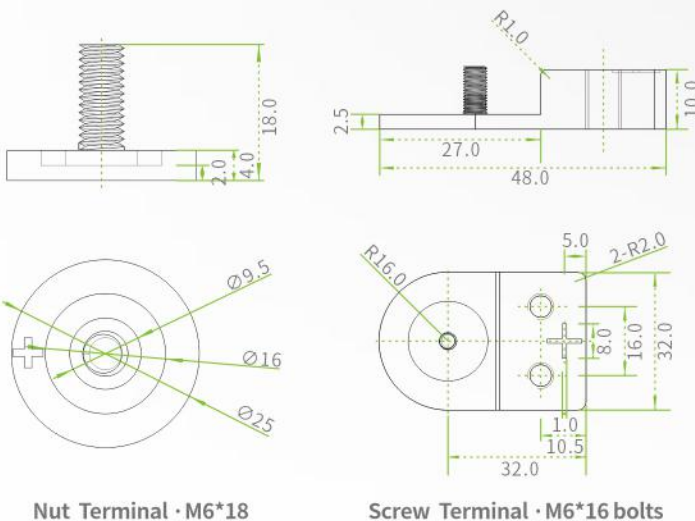


| ITEM                       | SPECIFICATIONS   | NOTE               |
|----------------------------|--|--------------------|
| Rated Capacity             | 230Ah  | @1C                |
| Nominal Voltage            | 3.2V   |                    |
| Actual Voltage Range       | 2.5-3.65V  |                    |
| Constant Discharge Current | ≤230A  | Typical Value=115A |
| Peak Discharge Current     | ≤460A  | @60s               |
| Constant Charge Current    | ≤230A  | Typical Value=115A |
| Peak Charge Current        | ≤460A  | @60s               |
| Operating Temperature      | Charge: 0°C~55°C<br>Discharge: -30°C~55°C                            |                    |
| Storage Temperature        | - 30°C~60°C  |                    |
| Cell Dimensions            | Thickness:53.82±0.5mm<br>Length:174.00±0.5mm<br>Height: 204.40±0.6mm |                    |
| Cathode Material           | LFP  |                    |
| Weight                     | 4.09±0.12kg  |                    |
| Energy density             | 180Wh/kg   |                    |
| Cycle life                 | ≥4000 times  | @0.5C/0.5C 100%DOD |
| Terminal                   | Welding/Screw/Nut terminal   |                    |

# DRAWING



# TERMINAL



# ADVANTAGE

- Standardized cell format and holistic safety concept of cell.
- Support 1C charge and discharge rate.
- 4000times outstanding cycle life with maximum reliability.
- Continuously improved energy density though new materials and light weighting technology.
- Modular design for various applications and easy upgrade to next generations.
- Suitable for material handling equipments, commercial vehicles etcetera.



- ✉ [info@lslithiumbattery.com](mailto:info@lslithiumbattery.com)
- 🌐 [www.lslithiumbattery.com](http://www.lslithiumbattery.com)
- 📍 Nanjing office | Wenzhou Factory | UK Branch
- ☎ +86-(0)25-87736807
- ☎ +86-(0)25-87739887