



**YOUR PROFESSIONAL
LITHIUM BATTERY
SOLUTION PROVIDER**



**Lithium
Storage**

LFP135AH

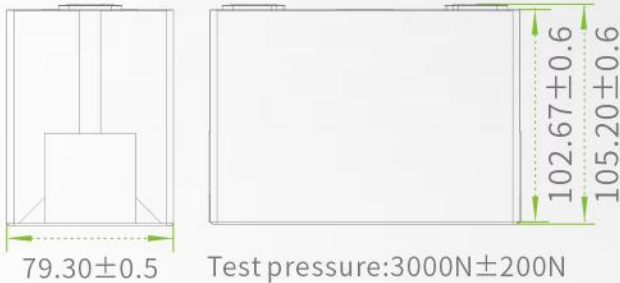
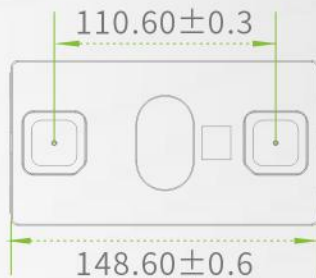


LITHIUM STORAGE can offer different terminal solution for cells with welding terminals, including screw terminals and nut terminals. These solutions have passed the multiple inspection testing items such as drawing force, shear force and torque testing etcetera and have been applied in the various electric vehicles and energy storage projects in the different countries.

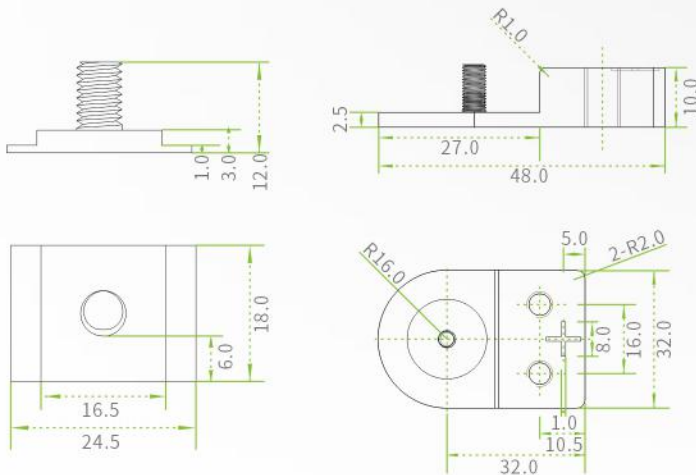


ITEM	SPECIFICATIONS	NOTE
Rated Capacity	135Ah	@1C
Nominal Voltage	3.2V	
Actual Voltage Range	2.5-3.65V	
Constant Discharge Current	≤135A	Typical Value=67.5A
Peak Discharge Current	≤405A	@60s
Constant Charge Current	≤135A	Typical Value=67.5A
Peak Charge Current	≤270A	@30s
Operating Temperature	Charge: 0°C~55°C Discharge: -20°C~55°C	
Storage Temperature	- 20°C~55°C	
Cell Dimensions	Thickness:79.30±0.50mm Length:148.60±0.60mm Height: 102.67±0.60mm	
Cathode Material	LFP	
Weight	2.58±0.1kg	
Energy density	165Wh/kg 365Wh/L	
Cycle life	≥4000 times	@0.5C,100%DOD
Terminal	Welding/Screw/Nut terminal	

DRAWING



TERMINAL



Nut Terminal · M6*12

Screw Terminal · M6*16 bolts

ADVANTAGE

- VDA dimension format and holistic safety concept of cell.
- Support 1C charge and discharge rate.
- 4000times outstanding cycle life with maximum reliability.
- Continuously improved energy density though new materials and light weighting technology.
- Modular design for various applications and easy upgrade to next generations.
- Suitable for various electric vehicles projects.



- ✉ info@lslithiumbattery.com
- 🌐 www.lslithiumbattery.com
- 📍 Nanjing office | Wenzhou Factory | UK Branch
- ☎ +86-(0)25-87736807
- 📞 +86-(0)25-87739887